
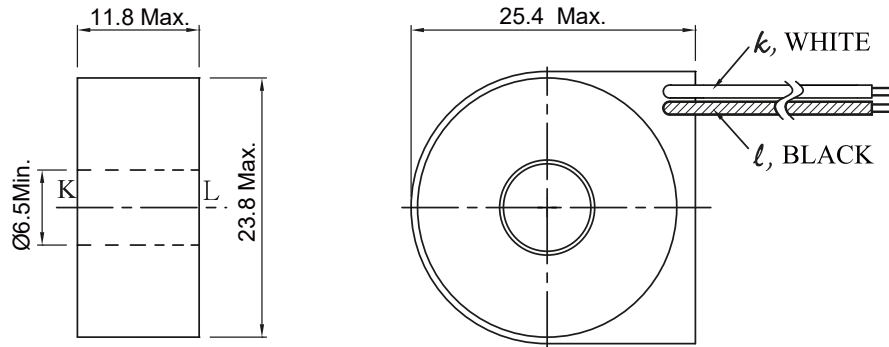


SPECIFICATION

	Accuracy Grade Current Transformer
	Model No ; H-1W
	Type ; Standard Type

DIMENSION



CHARACTERISTICS

ITEM	PROPERTY	CONDITION
CURRENT RATIO	2500:1	
RATED CURRENT	50A / 20mA	
OUT PUT(E ₂)	200mV	IN PUT 50A, at Load R=10Ω
RATIO ERROR	0.2% max.	PRIMARY RATED'S (100%~1.67%)
PHASE ANGLE ERROR	0.2° max.	PRIMARY RATED'S (100%~1.67%)

TEST DIAGRAM

