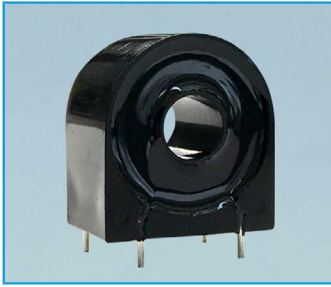


SPECIFICATION

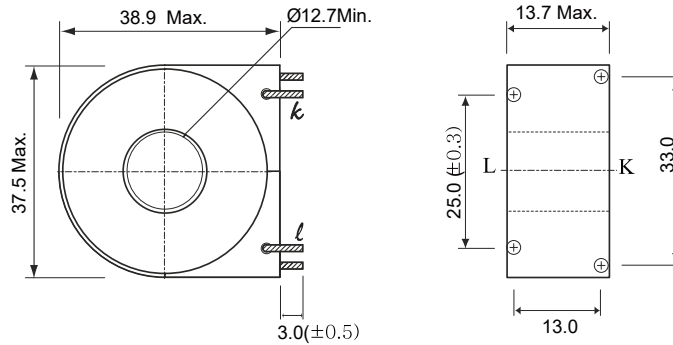


Accuracy Grade Current Transformer

Model No ; **H-4V**

Type ; Standard Type

DIMENSION



CHARACTERISTICS

ITEM	PROPERTY	CONDITION
CURRENT RATIO	2500:1	
RATED CURRENT	120A / 48mA	at No Load
OUT PUT(E ₂)	480mV	IN PUT 120A, at Load R=10Ω
RATIO ERROR	0.2% max.	PRIMARY RATED'S (100%~3.33%)
PHASE ANGLE ERROR	0.2° max.	PRIMARY RATED'S (100%~3.33%)

TEST DIAGRAM

