
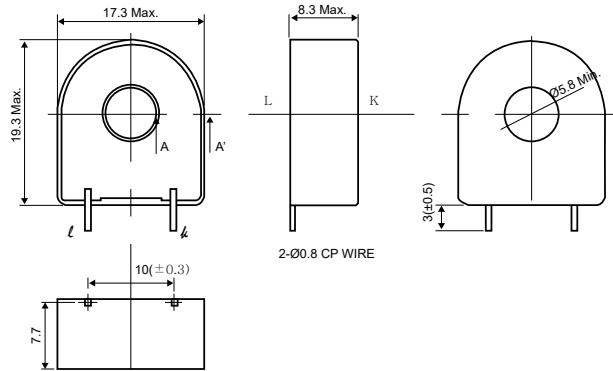


# SPECIFICATION

	<b>Accuracy Grade Current Transformer</b>
	Model No ; <b>Hs-1V</b>
	Type ; Standard Type

## DIMENSION



## ELECTRICAL PROPERTIES

- \*CURRENT RATIO; 1,300:1
- \*RATED CURRENT; 0.001A~20A (at Burden R=10Ω under), 50/60Hz

ITEM	PROPERTY	TEST CONDITION
<b>OUTPUT PROPERTY</b>	$E_2 : 99.5mV \pm 0.5$	$I_1 : 1.3A$ R:100Ω f:60Hz
<b>RATIO ERROR</b>	$\leq 0.5\%$	$I_1$ ; at 1A~20A f:60Hz R:10Ω under
<b>THERMAL PROPERTY</b>	( $\mu t$ ): $\leq \pm 0.5\%$ f:50/60Hz R:10Ω	$\mu t = \left( \frac{E_2(X^\circ C) - E_2(20^\circ C)}{E_2(20^\circ C)} \right) \times 100$ E2(X°C) : at -20°C ~ 70°C output voltage E2(20°C) : 20°C output voltage
<b>OVER CURRENT TEST</b>	THERE WILL NOT HAVE TO BE DAMAGE,	PRIMARY RATED CURRENT X 15, 0.5s
<b>HIGH POT TEST</b>		COIL-PRIMARY, 2KV, 2mA - 1Min.

## TEST DIAGRAM

