

SPECIFICATION

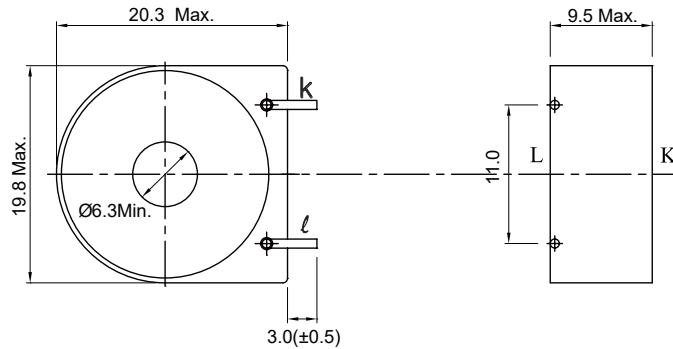


Accuracy Grade Current Transformer

Model No ; **Hs-2V**

Type ; Standard Type

DIMENSION



CHARACTERISTICS

ITEM	PROPERTY	CONDITION
CURRENT RATIO	1000:1	
RATED CURRENT	30A / 30mA	at No Load
OUT PUT(E ₂)	300mV	IN PUT 30A, at Load R=10Ω
RATIO ERROR	0.2% max.	PRIMARY RATED'S (100%~1.67%)
PHASE ANGLE ERROR	0.2° max.	PRIMARY RATED'S (100%~1.67%)

TEST DIAGRAM

