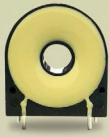


SPECIFICATION

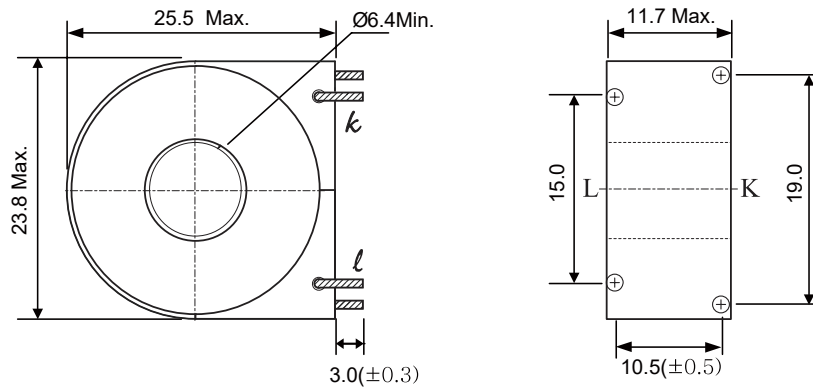


Commercial Grade Current Transformer

Model No ; **T-1P**

Type ; Standard Type

DIMENSION



CHARACTERISTICS

At 50/60Hz, 100Ω

ITEM	PROPERTY	CONDITION
CURRENT RATIO	1000:1	
RATED CURRENT	50A	
RATIO ERROR	$\pm 2.5\%$	1A~40A PRIMARY RATED'S 120%

TEST DIAGRAM

